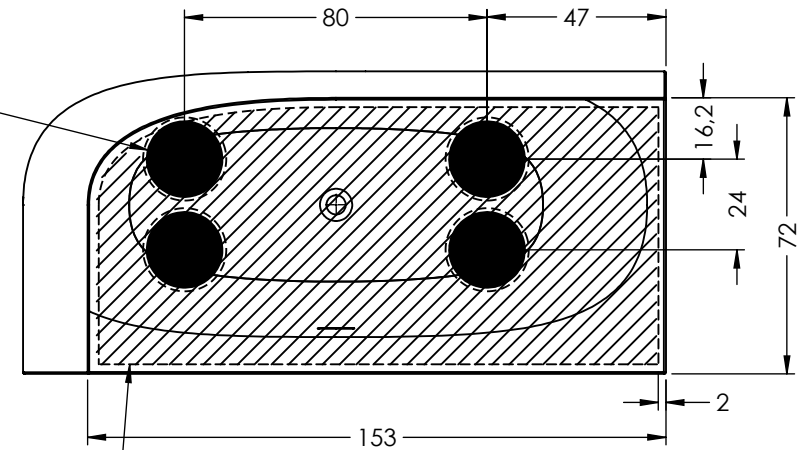


Ø 20 x4 legs area



Foot print -20mm

Treatment: Reinforced							
Material: PMMA/Acrylic							
Rev.	Change no.	Dev.	Date	Rev.	Change no.	Dev.	Date
A		C		E		G	
B		D		F		H	
Scale: 1:15		Format: A4		Unit: cm		Sheet: 1 of 1	
		Tolerance: NEN-ISO 2768-1 class m					
Name: cenotes ease corner links							 Third angle
Drawn: NN				Date: 24-11-2020		Project no.: 10.619	
Introduced by tech. change:						Draw.no.:	